

Ref. No.	Part Number	Description	Qty.	Rem.
----------	-------------	-------------	------	------

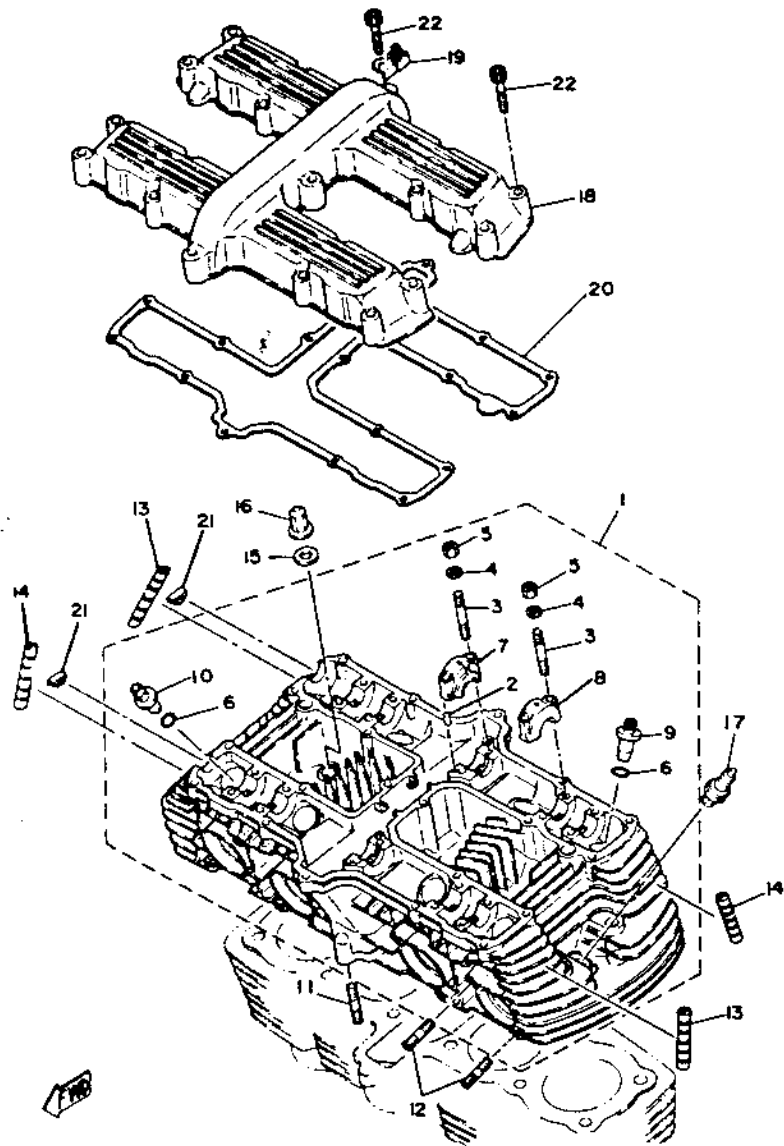
1	3H5-11110-01-00	CYLINDER HEAD ASS'Y	1	
2	93603-09004-00	. PIN, dowel	4	
3	90116-06228-00	. BOLT, stud	20	
4	90201-06431-00	. WASHER, plate	20	
5	95301-06600-00	. NUT	20	
6	93210-11313-00	. O-RING	8	
7	1J7-12173-10-00	. CAP, camshaft 1	2	
8	1J7-12183-10-00	. CAP, camshaft 2	8	
9	1J7-11133-10-00	. GUIDE, intake valve (1st O/S)	4	
10	1J7-11134-10-00	. GUIDE, exhaust valve (1st O/S)	4	
11	90116-08161-00	BOLT, stud	2	

3H5-W0001-00-XX TOP END GASKET KIT

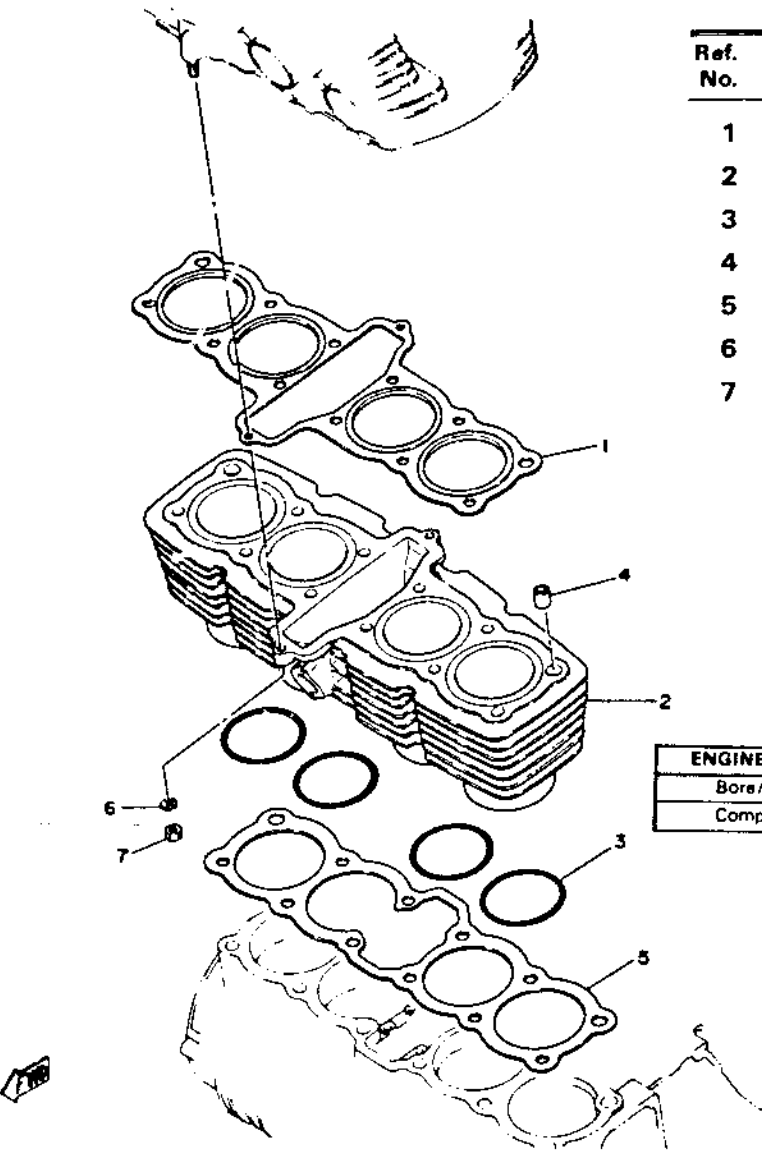
See Grid H1 for Component Pa

12	95621-08615-00	BOLT, stud	8	
13	2H7-11161-00-00	ABSORBER 1	2	
14	2H7-11162-00-00	ABSORBER 2	2	
15	90201-11597-00	WASHER, plate	12	
16	90179-10277-00	NUT	12	
*17	NGK-BP6ES-00-00	PLUG, spark (94701-00116)	4	
18	4H3-11191-00-00	COVER, cylinder head 1	1	
19	90465-10129-00	CLAMP	1	
20	2H7-11193-00-00	GASKET, head cover 1	1	
21	2G2-11138-00-00	PLUG	2	
22	91316-06035-00	BOLT	20	

*Indicates new part numbers activated from March, 1982.



Spark Plug Type	NGK BP6ES or Champion NB7
Spark Plug Gap / Torque / Cap Ω	0.7 ~ 0.8mm / 2.0 m·kg / 5K Ω \pm 10%
Cylinder Head Cover	6 x 1.0: 1.0 m·kg
Cylinder Head:	10 x 1.25: 3.5 m·kg (Use Oil)
	8 x 1.25: 20.0 m·kg



Ref. No.	Part Number	Description	Qty.	Remarks
1	2H7-11181-02-00	GASKET, cylinder	1	
2	2H9-11310-00-00	CYLINDER	1	
3	93210-77363-00	O-RING.....	4	
4	91830-24016-00	PIN, dowel.....	2	
5	2H7-11351-01-00	GASKET, cylinder	1	
6	90201-08382-00	WASHER, plate	2	
7	95311-08600-00	NUT.....	2	

ENGINE TYPE	4-Stroke, DOHC, Air-Cooled, Transverse Four
Bore / Stroke / Number Cylinders / Displacement (cc)	71.5mm / 68.6mm / 4 / 1101cc
Compression Ratio / Compression Pressure Min~Max	9.0:1 / 9.0 ~ 11.0 kg/cm ²