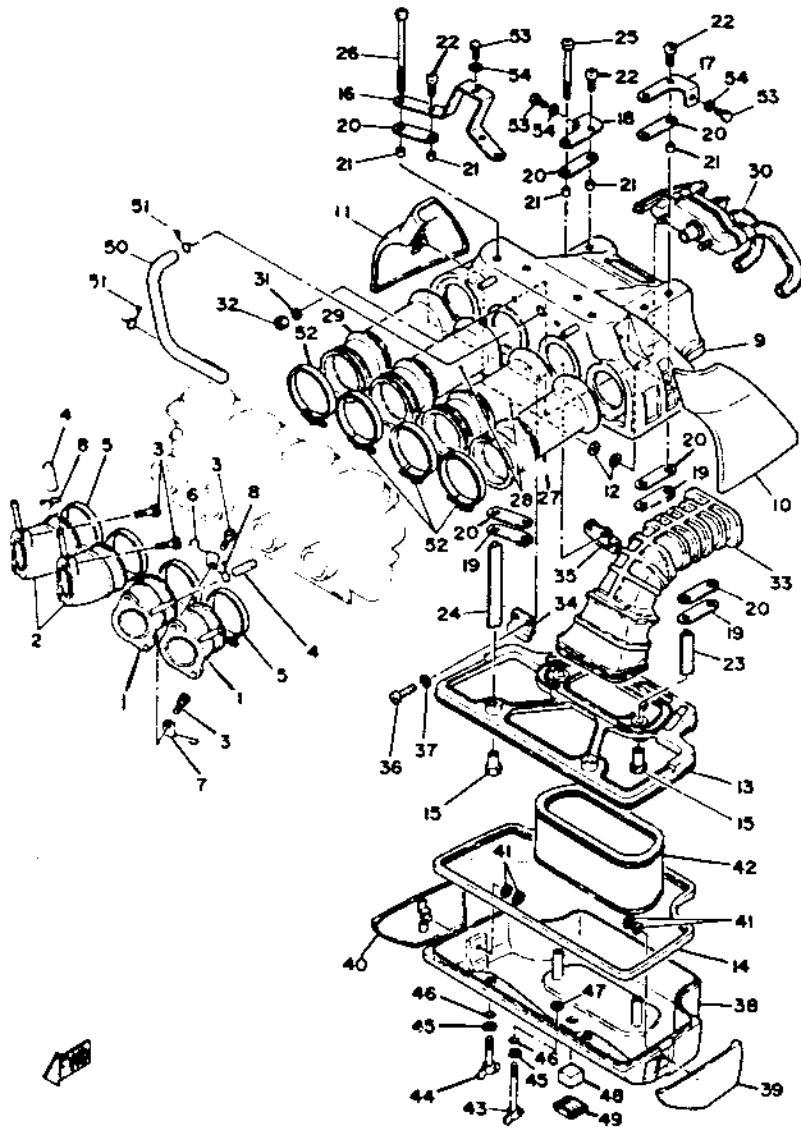


Ref. No.	Part Number	Description	Qty.
1	2H7-13586-00-00	JOINT, carburetor 1	2
2	2H7-13596-00-00	JOINT, carburetor 2	2
3	91316-06020-00	BOLT	8
4	1J7-13569-00-00	PLUG, blind	2
5	90460-54085-00	CLAMP, hose	4
6	90462-10038-00	CLAMP	1
7	90462-10039-00	CLAMP	1
8	90467-11028-00	CLIP	2
9	3H5-14411-00-00	CASE, air cleaner 1	1
10	2H7-1441A-00-00	COVER, cleaner case 1	1
11	2H7-1441E-00-00	COVER, cleaner case 2	1
12	90183-05004-00	NUT, spring	4
13	2H7-1441F-00-00	PARTITION, air cleaner case	1
14	2H7-14457-02-00	SEAL	1
15	90179-06250-00	NUT	4
16	2H7-14493-00-00	STAY 1	1
17	2H7-14498-00-00	STAY 1	1
18	2H7-14499-00-00	STAY 2	1
19	2H7-14484-00-00	PLATE, cleaner case fitting	4
20	2H7-14452-01-00	SEAL	8
21	90387-060A3-00	COLLAR	8
22	92503-06018-00	SCREW, pan head (92501-06018)	4
23	90387-08640-00	COLLAR (2H7-14443-00)	2
24	90387-08641-00	COLLAR, distance (2H7-14444-00)	2
25	92501-06070-00	SCREW, pan head	2
26	92501-06110-00	SCREW, pan head	2
27	2H7-14453-00-00	JOINT, air cleaner 1	1
28	2H7-14463-00-00	JOINT, air cleaner 2	2



Ref. No.	Part Number	Description	Qty.
29	2H7-14454-00-00	JOINT	1
30	2H7-14434-01-00	SEPARATOR, oil	1
31	92901-05600-0C	WASHER, plate	2
32	95301-05700-00	NUT (95302-05700)	2
33	2H7-14431-01-00	SILENCER, intake 1	1
34	2H7-1441G-00-00	BINDER 1.....	1
35	2H7-1441H-00-00	BINDER 2.....	1
36	98503-05015-00	SCREW, pan head.....	2
37	92903-05100-00	WASHER, spring (92902-05100)	2
38	2H7-14421-01-00	CASE, air cleaner 2	1
39	2H7-1442A-00-00	COVER, cleaner case 3.....	1
40	2H7-1442E-00-00	COVER, cleaner case 4.....	1
41	90183-05004-00	NUT, spring	4
42	2H7-14451-00-00	ELEMENT, air cleaner.....	1
43	90122-06013-00	BOLT, wing.....	2
44	90122-06012-00	BOLT, wing.....	2
45	90201-06059-00	WASHER, plate	4
46	93210-05098-00	O-RING.....	2
47	90209-05182-00	WASHER	4
48	2H7-14462-10-00	SEAL	1
49	2H7-14422-00-00	CAP, cleaner case 2	1
50	2H7-11166-00-00	PIPE, breather 1	1
51	90467-14015-00	CLIP	2
52	90460-58124-00	CLAMP, hose.....	4
53	97301-06016-00	BOLT (97301-06015)	3
54	92902-06600-00	WASHER	3