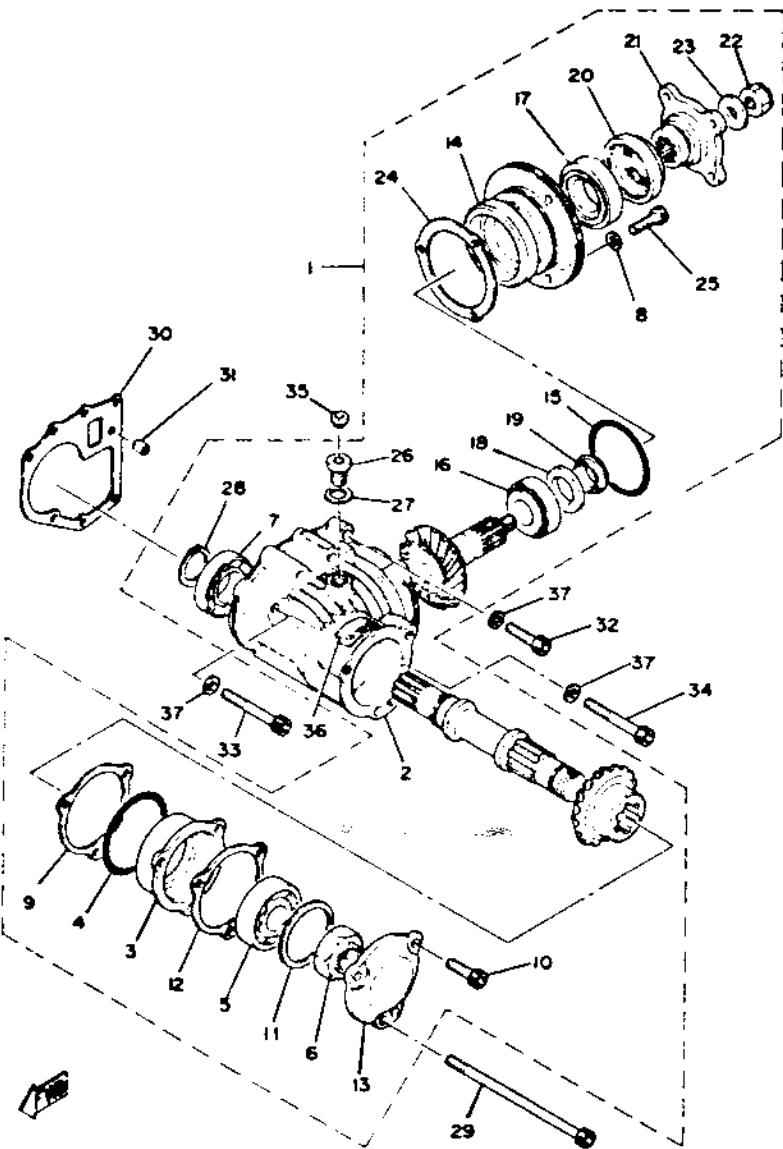


Ref. No.	Part Number	Description	Qty.
1	2H7-17501-00-00	MIDDLE GEAR CASE ASS'Y	1
2	2H7-17511-00-00	HOUSING, middle gear	1
3	2H7-17521-00-00	HOUSING, bearing	1
4	93210-68347-00	O-RING	1
5	93306-30520-00	BEARING (B6305RBI)	1
6	90179-24230-00	NUT	1
7	93306-00608-00	BEARING (B6006)	1
8	90201-08675-00	WASHER, plate	3
9	1J7-17531-Y0-10	SHIM, pinion (0.10T)	1
	1J7-17531-Y0-15	SHIM, pinion (0.15T)	1
	1J7-17531-Y0-30	SHIM, pinion (0.30T)	1
10	91311-08030-00	BOLT	3
11	1J7-17537-Y0-15	SHIM, thrust (0.15T)	1
	1J7-17537-Y0-30	SHIM, thrust (0.30T)	1
	1J7-17537-Y0-40	SHIM, thrust (0.40T)	1
	1J7-17537-Y0-50	SHIM, thrust (0.50T)	1
12	1J7-17519-Y0-00	GASKET, housing cap	1
13	2H7-17538-00-00	CAP, housing	1
14	2H7-17551-00-00	HOUSING, bearing	1
15	93210-71360-00	O-RING	1

Middle Gear Case Capacity	375cc
Gear Case Lubricant: Temp. Above 5°C (40°F)	SAE 90 Hypoid Gear Oil GL-4
Temp. Below 15°C (60°F)	SAE 80 Hypoid Gear Oil GL-4
All Weather Conditions	SAE 80W90 Hypoid Gear Oil GL-4



Ref. No.	Part Number	Description	Qty.
16	93332-00028-00	BEARING.....	1
17	93332-00024-00	BEARING.....	1
18	90201-25634-00	WASHER, plate .....	1
19	2H7-17571-01-00	SPACER, expansion (2H7-17571-00) .....	1
20	93101-35085-00	OIL SEAL.....	1
21	1J7-17555-Y0-00	FLANGE, middle gear.....	1
22	90185-14070-00	NUT, self-locking .....	1
23	90201-14633-00	WASHER, plate .....	1
24	2H7-17531-00-10	SHIM, pinion (0.10T).....	1
	2H7-17531-00-15	SHIM, pinion (0.15T).....	1
	2H7-17531-00-30	SHIM, pinion (0.30T).....	1
25	91311-08030-00	BOLT .....	3
26	90340-14046-00	PLUG, straight screw.....	1
27	214-11198-01-00	GASKET.....	1
28	93410-30012-00	CIRCLIP.....	1
29	90110-08021-00	BOLT, hexagon socket head.....	1
30	1J7-17518-00-00	GASKET, middle gear case.....	1
31	91830-21014-00	PIN, dowel .....	1
32	91311-08035-00	BOLT.....	1
33	91311-08065-00	BOLT.....	3
34	91311-08105-00	BOLT.....	2
35	341-23469-00-00	CAP, bolt .....	1
36	1J7-46181-11-00	LABEL, oil caution.....	1
37	90201-08675-00	WASHER, plate .....	6