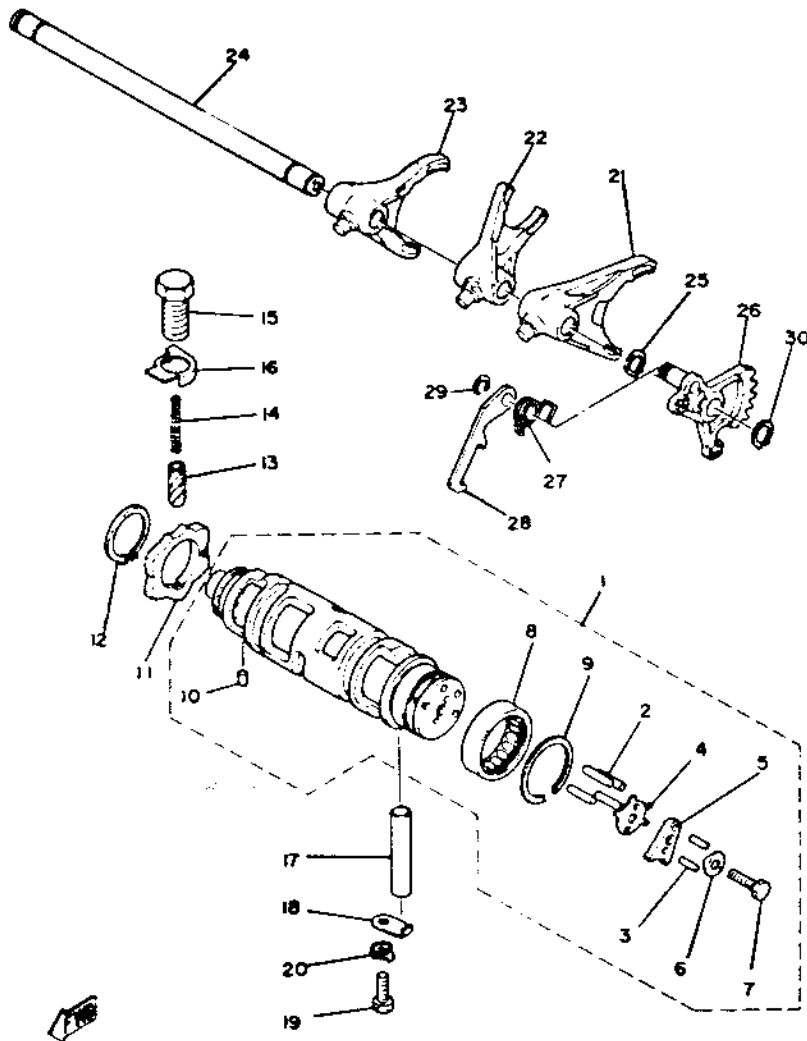
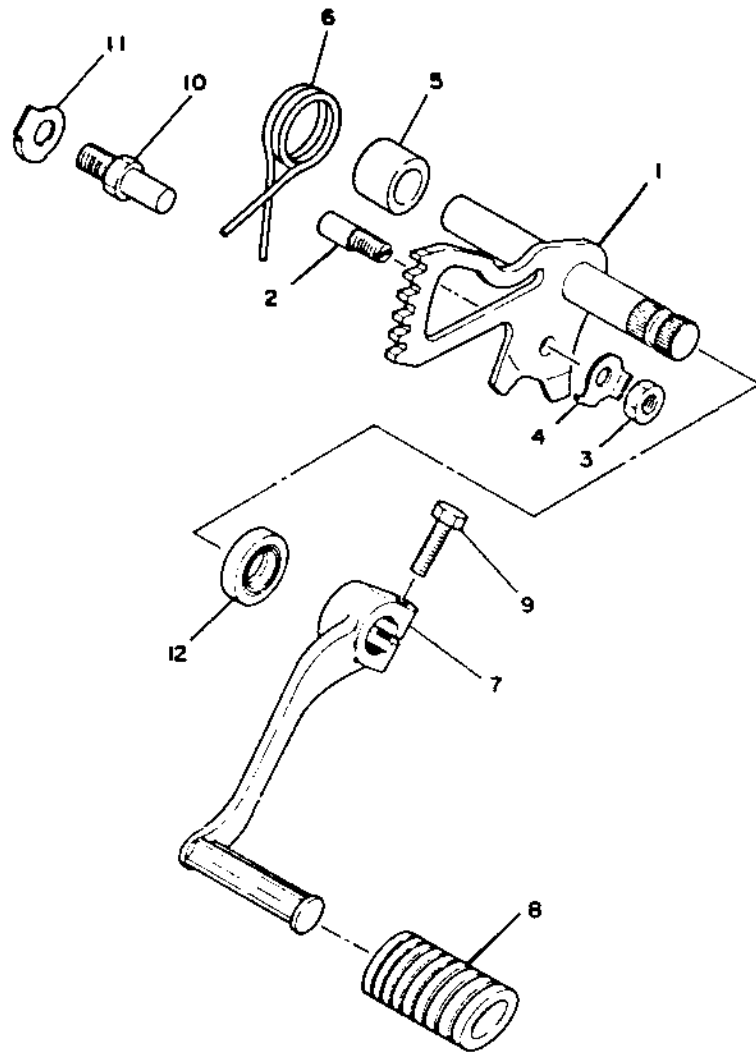


Ref. No.	Part Number	Description	Qty.
1	2H7-18540-00-00	SHIFT CAM, ASS'Y.	1
2	93604-18058-00	PIN, dowel	4
3	93603-10049-00	PIN, dowel	2
4	2H7-18561-00-00	PLATE, side 1	1
5	2H7-18566-00-00	PLATE, side 2	1
6	90215-05140-00	WASHER, lock	1
7	97318-05020-00	BOLT	1
8	93315-23612-00	BEARING, cylindrical	1
9	93440-34025-00	CIRCLIP	1
10	93604-08071-00	PIN, dowel	1
11	2J2-18141-00-00	PLATE, stopper	1
12	93410-30012-00	CIRCLIP	1
13	1J7-18547-00-00	STOPPER, cam	1
14	90501-10196-00	SPRING, compression	1
15	90149-14117-00	SCREW	1
16	90215-15141-00	WASHER, lock	1
17	93608-52138-00	PIN, dowel	1
18	2H7-18531-00-00	PLATE, stopper	1
19	97301-06016-00	BOLT (97301-06015)	1
20	90215-06040-00	WASHER, lock	1



Ref. No.	Part Number	Description	Qty.
21	2H7-18511-00-00	FORK, shift 1	1
22	2H7-18512-00-00	FORK, shift 2	1
23	2H7-18513-00-00	FORK, shift 3	1
24	2H7-18531-01-00	BAR, shift fork guide 1	1
25	93410-12003-00	CIRCLIP	1
26	2H7-18122-00-00	LEVER, shift 2	1
27	90508-10362-00	SPRING, torsion	1
28	2H7-18151-00-00	LEVER, shift 3	1
29	93440-08001-00	CIRCLIP	1
30	93410-12003-00	CIRCLIP	1

SHIFT SHAFT - PEDAL



Inst. No.	Part Number	Description	Qty
1	2H7-18101-00-00	SHIFT SHAFT ASS'Y	1
2	90149-06017-00	SCREW.....	1
3	95301-06600-00	NUT.....	1
4	90215-06016-00	WASHER, lock.....	1
5	90560-11026-00	SPACER	1
6	90508-29361-00	SPRING, torsion	1
7	2H7-18111-00-00	PEDAL, shift (2H7-18111-00-93)	1
8	132-18113-01-00	COVER, shift pedal	1
9	97301-06020-00	BOLT	1
10	90109-08441-00	BOLT	1
11	90215-08115-00	WASHER, lock.....	1
12	93102-12106-00	OIL SEAL	1

