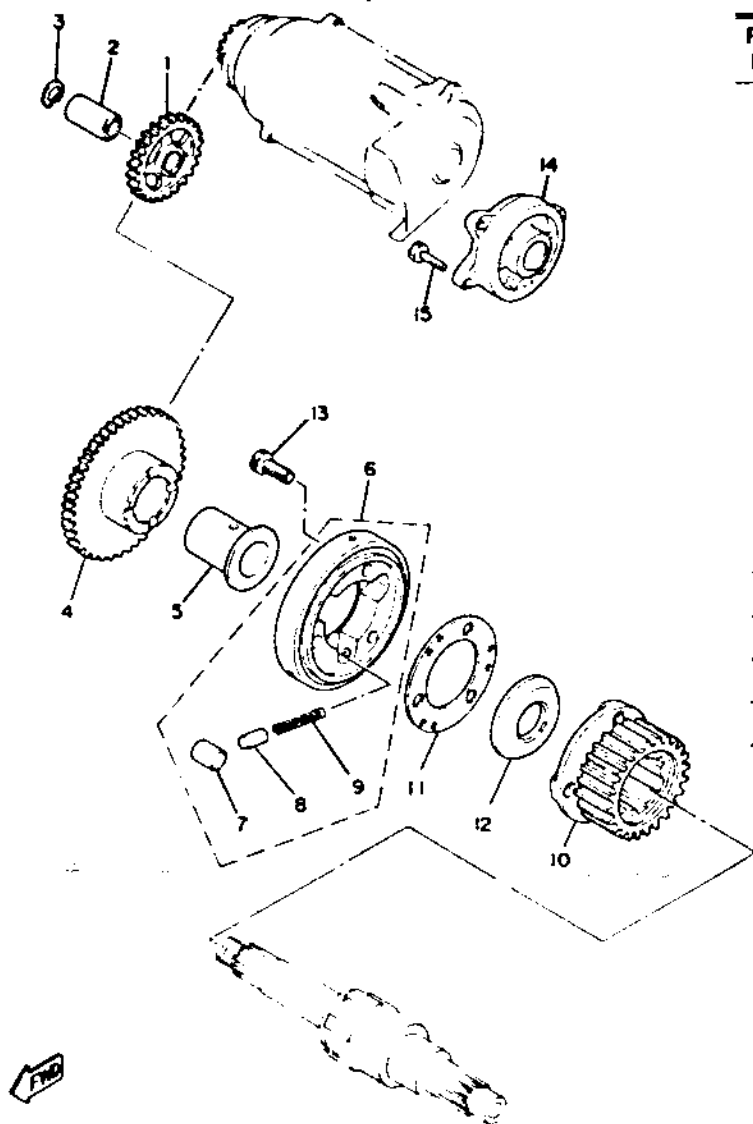


END

Ref. No.	Part Number	Description	Qty.
1	4R0-81800-60-00	STARTING MOTOR ASS'Y	1
2	2H7-81810-60-00	. STATOR ASS'Y.....	1
3	371-81826-20-00	. BOLT	2
4	371-81845-20-00	. PLATE	1
5	371-81844-20-00	. GASKET.....	1
6	2H7-81850-60-00	. ROTOR COMP.....	1
7	371-81809-20-00	. WASHER KIT	1
8	371-81847-20-00	. O-RING	1
9	371-81840-20-00	. BRUSH HOLDER ASS'Y	1
10	371-81813-20-00	. SPRING, brush.....	2
11	98501-03008-00	. SCREW, pan head	2
12	92901-03100-00	. WASHER, spring	2
13	371-81811-20-00	. BRUSH 1.....	1
14	371-81812-20-00	. BRUSH 2.....	1
15	1J7-15511-00-00	. GEAR, starting motor (13T)....	1
16	93410-12003-00	. CIRCLIP.....	1
17	1J7-81847-60-00	. O-RING	1



Ref. No.	Part Number	Description	Qty.
1	2H7-15512-00-00	GEAR, idler 1 (28T)	1
2	2H7-15521-00-00	SHAFT 1	1
3	93420-17046-00	CIRCLIP	1
4	2H7-15517-00-00	GEAR, idler 2 (47T)	1
5	90560-25174-00	SPACER	1
6	2H7-15580-01-00	STARTER CLUTCH OUTER ASS'Y	1
7	93615-17125-00	. PIN, dowel	3
8	1J7-15583-01-00	. CAP, starter clutch spring	3
9	90501-04503-00	. SPRING, compression	3
10	2H7-11537-00-00	GEAR, driven (25T)	1
11	2H7-15589-00-00	PLATE, clutch cover	1
12	90209-25169-00	WASHER	1
13	91316-08018-00	BOLT	3
14	2H7-15654-00-00	HOLDER, kick gear	1
15	97301-06020-00	BOLT	3