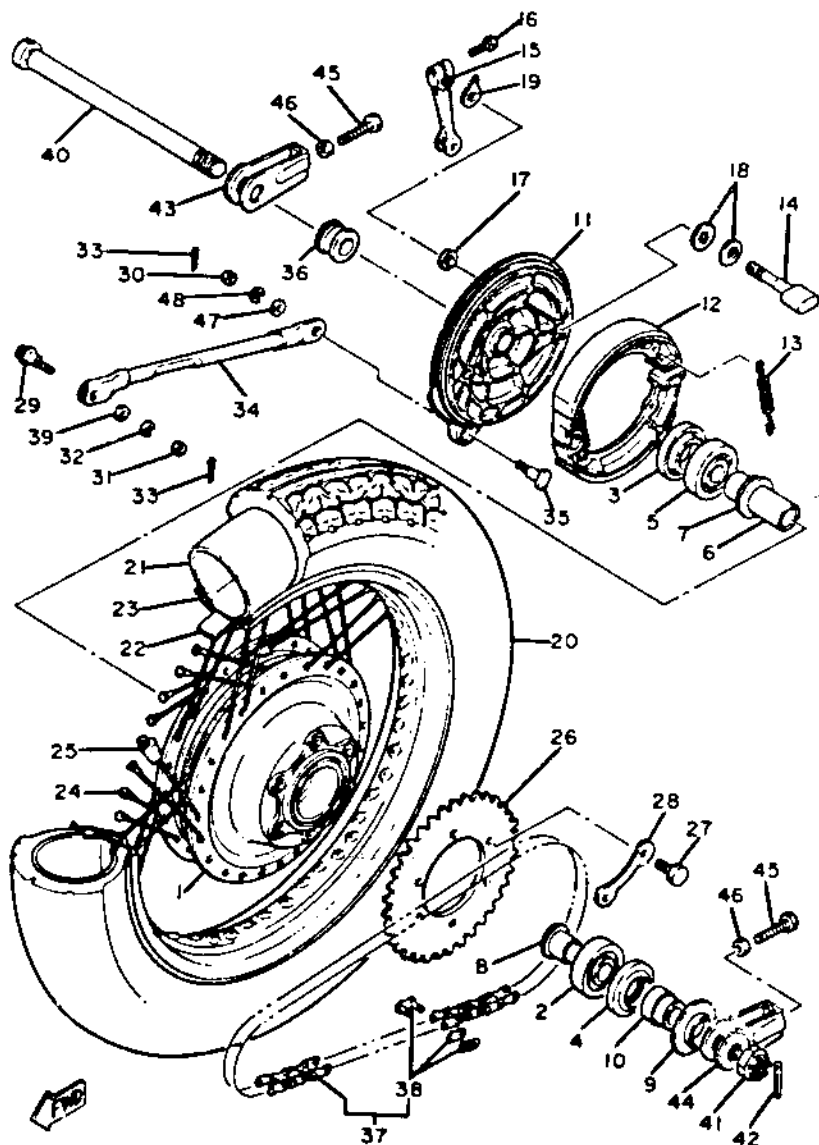


5V4110-2320

Ref. No.	Part Number	Description	Qty.	Rem
1	5V4-25311-00-00	HUB, rear	1	
2	93306-30507-00	BEARING (86305Z)	1	
3	93104-27026-00	OIL SEAL	1	
4	93102-35065-00	OIL SEAL	1	
5	93306-30404-00	BEARING (86304Z)	1	
6	90560-20135-00	SPACER	1	
7	256-25315-00-00	FLANGE, spacer	1	
8	90387-20166-00	COLLAR	1	
9	256-25367-00-00	COVER, hub dust	1	
10	90387-20176-00	COLLAR	1	
11	4M4-25321-00-38	PLATE, brake shoe	1	Clear
12	447-25330-01-00	BRAKE SHOE COMP.	2	
13	90507-20002-00	SPRING, tension	2	
14	4H7-25351-00-00	CAMSHAFT	1	
15	341-25355-00-00	LEVER, camshaft	1	
16	90101-06291-00	BOLT	1	
17	148-25359-00-00	SEAL, camshaft	1	
18	90201-14577-00	WASHER, plate	2	
19	4M4-2533A-00-00	PLATE, indicator	1	
20	94113-16444-00	TIRE	1	U.R. Yo
21	94213-16135-00	TUBE	1	U. STD Yo
22	94313-16091-00	BAND, rim	1	U. STD Yo

Rear Axle Nut	M16: 15.0 m-kg
Minimum Brake Lining Thickness Front / Rear	1.0mm / 2.0mm
Tire Size (Nominal Pressure) Front / Rear	3.50S19 (1.6 kg/cm ²) / 130/90S16 (2.0 kg/cm ²)



6V4110-2320

Ref. No.	Part Number	Description	Qty.
23	94427-16300-00	RIM (2.75-15)	1
24	5V4-25304-00-00	SPOKE SET, rear.....	1
25	5V4-25398-00-00	BALANCER, wheel	1
26	2M0-25434-20-00	SPROCKET, driven (34T)	1
27	90101-10479-00	BOLT.....	6
28	3G1-25412-00-00	WASHER	3
29	90109-08374-00	BOLT.....	1
30	95301-08700-00	NUT.....	1
31	90170-08158-00	NUT.....	1
32	92903-08100-00	WASHER, SPRING	1
33	91401-20015-00	PIN, cotter	2
34	2M1-25371-00-00	BAR, tension	1
35	90109-08338-00	BOLT.....	1
36	90387-20444-00	COLLAR	1
37	94580-05104-00	CHAIN DRIVE (50HDS-104L) ...	1
38	94680-05011-00	. CHAIN, joint (50HDS)	1
39	92901-08600-00	WASHER, plate	1
40	341-25381-00-00	AXLE, wheel.....	1
41	90171-18008-00	NUT, castle	1
42	91401-40040-00	PIN, cotter	1
43	341-25388-01-00	PULLER, chain 1	1
44	341-25389-00-00	PULLER, chain 2	1
45	90101-08404-00	BOLT.....	2
46	95303-08700-00	NUT.....	2
47	92901-08600-00	WASHER, plate	1
48	92903-08100-00	WASHER, spring	1

Rear Axle Nut	M16: 15.0 m-kg
Minimum Brake Lining Thickness Front / Rear	1.0mm / 2.0mm
Tire Size (Nominal Pressure) Front / Rear	3.50S15 (1.6 kg/cm ²) / 130/90S16 (2.0 kg/cm ²)