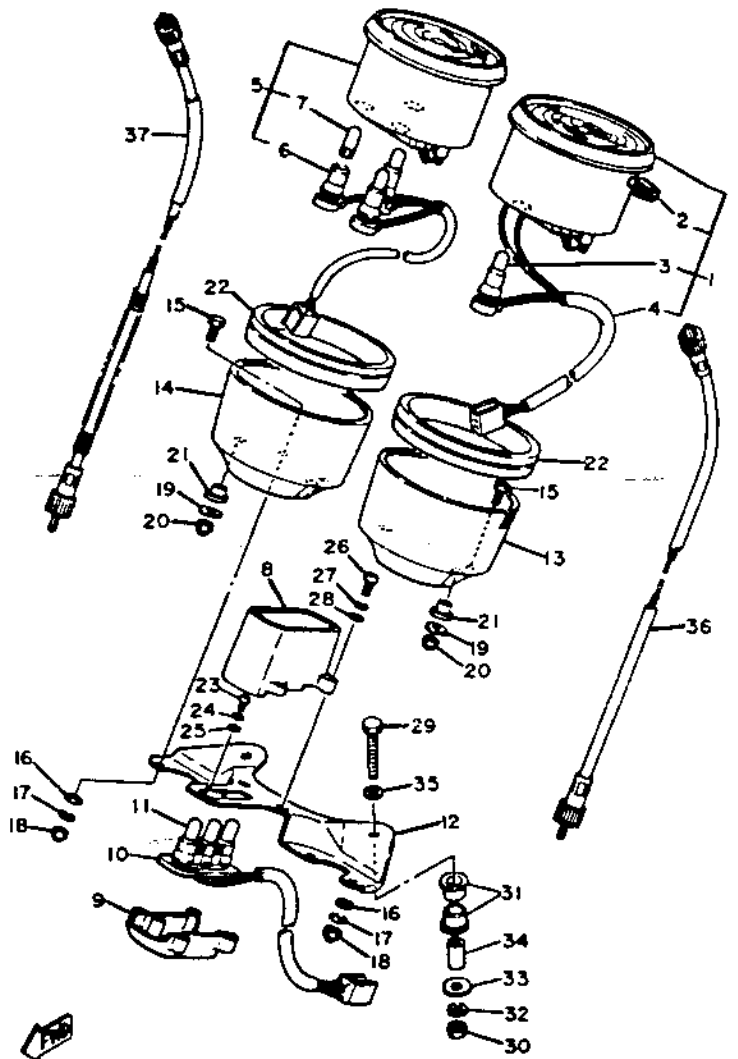


Ref. No.	Part Number	Description	Qty.
1	3G1-83570-A1-00	SPEEDOMETER ASS'Y	1
2	584-83578-71-00	. KNOB, trip meter.....	1
3	4G1-84744-00-00	. BULB (12V-3.4W).....	1
4	3G1-83536-01-00	. SOCKET, meter.....	1
5	3G1-83540-A1-00	TACHOMETER ASS'Y	1
6	3G1-83520-01-00	. SOCKET CORD ASS'Y.....	1
7	4G1-84744-00-00	. BULB (12V-3.4W).....	3
8	3G1-83568-A0-00	PILOT BOX, upper.....	1
9	2G2-83569-A0-00	PILOT BOX, lower.....	1
10	3G1-83509-01-00	SOCKET CORD ASS'Y	1
11	4G1-84744-00-00	BULB (12V-3.4W)	3
12	2M0-83519-00-00	BRACKET, meter.....	1
13	2J2-83507-00-00	COVER, speedometer.....	1
14	2J2-83508-00-00	COVER, tachometer	1
15	584-83546-00-00	BOLT	4
16	92903-06200-00	WASHER, plain	4
17	92903-06100-00	WASHER, spring	4
18	95301-06800-00	NUT, crown	4
19	90201-05031-00	WASHER, plate	4
20	95301-05800-00	NUT, crown	4

SPEEDOMETER-TACHOMETER



Ref. No.	Part Number	Description	Qty.
21	584-83523-00-00	DAMPER	4
22	3H3-83513-00-00	DAMPER	2
23	98501-04008-00	SCREW, pan head.....	1
24	92901-03100-00	WASHER, spring.....	1
25	92901-04600-00	WASHER, plate.....	1
26	98506-04012-00	SCREW, pan head.....	4
27	92906-04100-00	WASHER, spring.....	4
28	92906-04600-00	WASHER, plate.....	4
29	97306-06040-00	BOLT.....	2
30	95301-06600-00	NUT.....	2
31	584-83541-00-00	DAMPER	4
32	92903-06100-00	WASHER, spring.....	1
33	90201-06067-00	WASHER, plate (90201-06380)	2
34	90387-06249-00	COLLAR	2
35	92906-06600-00	WASHER, plate.....	2
36	341-83550-01-00	SPEEDOMETER CABLE ASS'Y	1
37	447-83560-01-00	TACHOMETER CABLE ASS'Y...	1