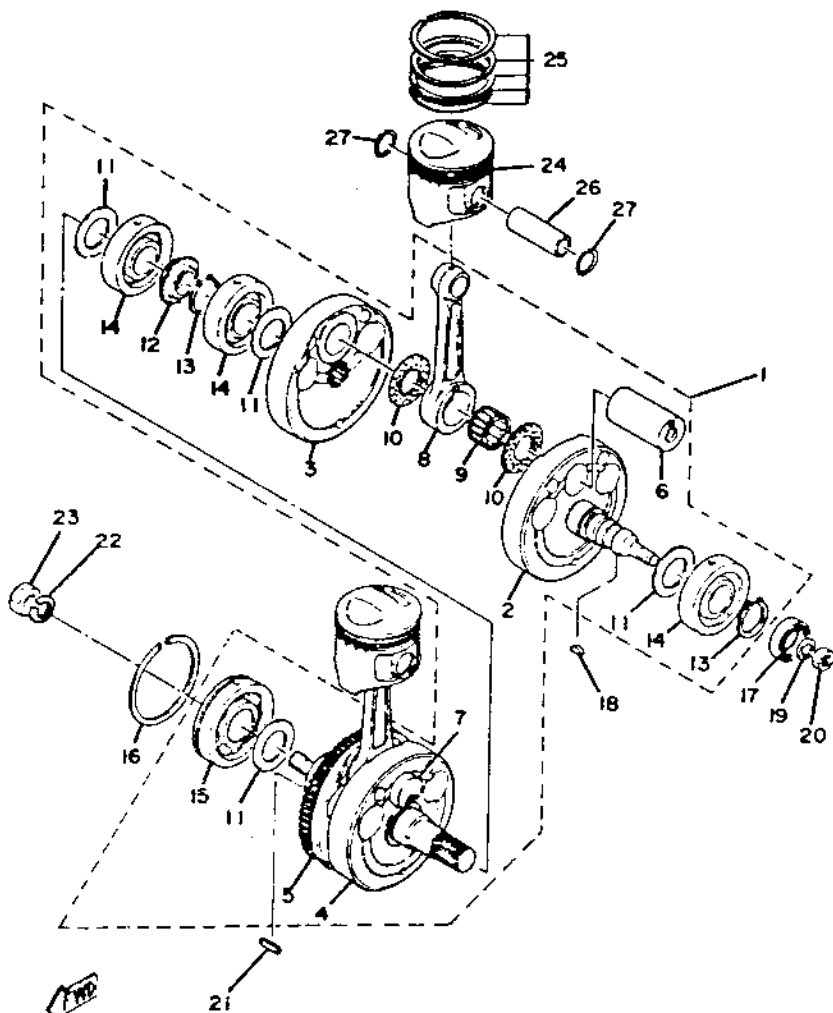


Ref. No.	Part Number	Description	Qty.
1	447-11400-01-00	CRANKSHAFT ASS'Y.....	1
2	256-11412-01-00	. CRANK 1.....	1
3	256-11422-01-00	. CRANK 2.....	1
4	256-11432-02-00	. CRANK 3.....	1
5	306-11442-03-00	. CRANK 4.....	1
6	256-11681-00-00	. PIN, crank 1.....	1
7	306-11681-00-00	. PIN, crank 1.....	1
8	447-11651-00-00	. ROD, connecting.....	2
9	93310-62660-00	. BEARING, cylindrical.....	2
10	90209-26014-00	. WASHER.....	4
11	256-11561-00-00	. SHIM, crank 1.....	4
12	447-11549-01-00	. SPROCKET, cam chain.....	1
13	93410-32019-00	. CIRCLIP.....	2
14	93390-00003-00	. BEARING.....	3
15	93306-30604-00	. BEARING (B6306C3 SPECIAL)	1

Piston Skirt Clearance New / Max	0.050 ~ 0.055mm / 0.10mm
Ring End Gap Top / 2nd / 3rd	0.2 ~ 0.4mm / 0.2 ~ 0.4mm / 0.3 ~ 0.9mm



3W6700-0030

Ref. No.	Part Number	Description	Qty.
16	93440-78011-00	CIRCLIP .....	1
17	93102-25121-00	OIL SEAL .....	1
18	90280-04005-00	KEY, woodruff .....	1
19	92901-12100-00	WASHER, spring .....	1
20	90170-12064-00	NUT.....	1
21	90282-07023-00	KEY, straight .....	1
22	92901-14100-00	WASHER, spring .....	1
23	90170-14076-00	NUT.....	1
24	447-11631-01-Ø96	PISTON (STD) .....	2
	447-11636-01-00	PISTON (2nd O/S 0.50MM).....	2
	447-11638-01-00	PISTON (4th O/S 1.00MM).....	2
25	447-11610-00-00	PISTON RING SET (STD).....	2
	447-11610-20-00	PISTON RING SET (2nd O/S) ...	2
	447-11610-40-00	PISTON RING SET (4th O/S)....	2
26	447-11633-00-00	PIN, piston .....	2
27	93450-22027-00	CIRCLIP .....	4

Bore/Stroke/Number Cylinders/Displacement	75mm / 74mm / 2 / 653cc
Compression Ratio/Compression Pressure Min~Max	8.7:1 / 9.5 ~ 11.5 kg/cm <sup>2</sup>