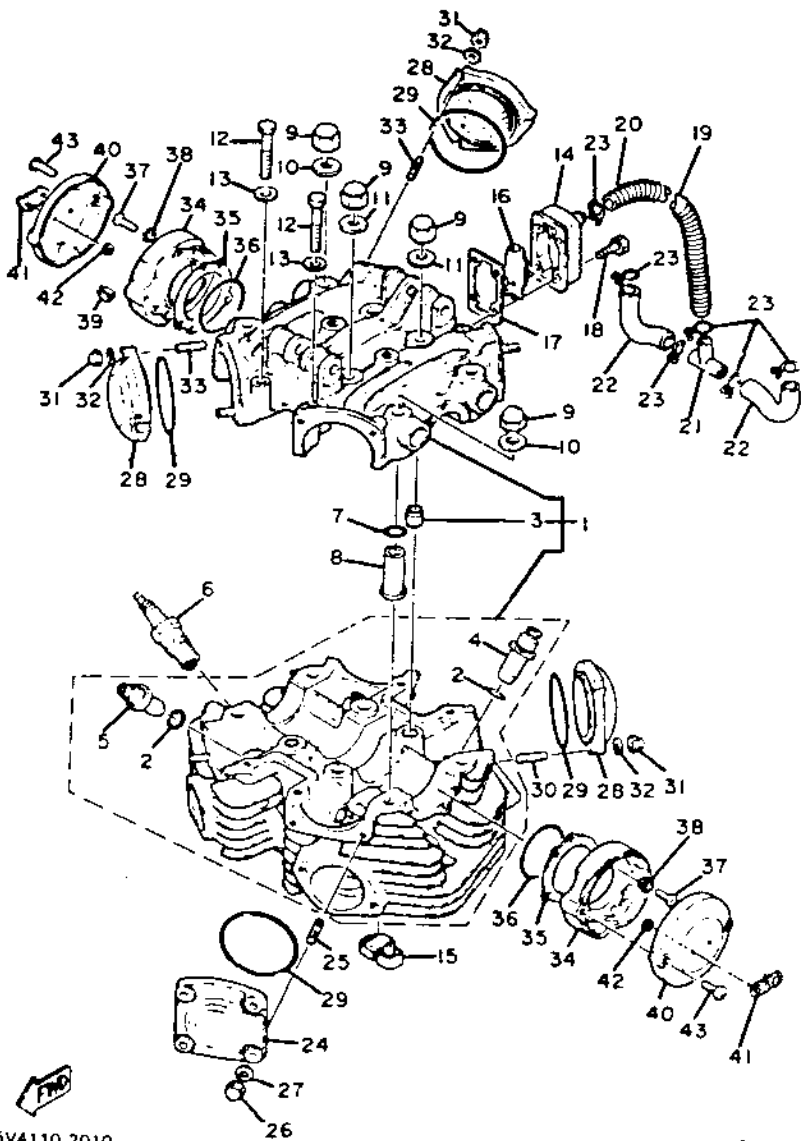


5V4110-2010

Ref. No.	Part Number	Description	Qty	
1	5V4-11101-00-00	CYLINDER HEAD ASS'Y	1	
2	93210-15151-00	O-RING	4	
3	91830-24016-00	PIN, dowel	2	
4	341-11133-11-00	GUIDE, intake valve (1st O/S)	2	
5	341-11134-11-00	GUIDE, exhaust valve (1st O/S)	2	
*	6	NGK-BP7ES-00-00	PLUG, spark (94701-00117)	2
7	93210-12152-00	O-RING	4	
8	256-11199-00-00	SLEEVE, cylinder head cover	4	
9	90176-10008-00	NUT, crown	8	
10	90210-10004-00	WASHER, seal	4	
11	90201-10131-00	WASHER, plate	4	
12	97321-08060-00	BOLT	4	
13	92901-08600-00	WASHER, plate	4	
14	3G1-11168-01-00	COVER, breather	1	
15	447-11135-00-00	PLATE, breather 3	1	
16	3G1-11165-00-00	PLATE, breather	1	
17	256-11169-01-00	GASKET, breather cover	1	
18	91316-06025-00	BOLT	4	
19	90445-16416-00	HOSE	1	
20	90501-08545-00	SPRING, compression	1	
21	90413-13006-00	WAY 3	1	
22	3G1-11166-00-00	PIPE, breather 1	2	
	3G1-W0001-00-XX	TOP END GASKET KIT		

*Indicates new part numbers activated from March, 1982.

Spark Plug Type	NGK BP7ES
Spark Plug Gap / Torque / Cap \bar{u}	0.7 ~ 0.8mm / 2.0 m·kg / 5K \bar{u}
Cylinder Head Cover	M8: 2.1 m·kg
Cylinder Head:	M10: 3.7 m·kg
	M6: 0.9 m·kg



Ref. No.	Part Number	Description	Qty.
23	90467-14015-00	CLIP	6
24	447-11185-00-00	COVER, cylinder head side 1	1
25	90116-08150-00	BOLT, stud	4
26	95303-08800-00	NUT, crown	4
27	92901-08600-00	WASHER, plate	4
28	447-11186-00-00	COVER, cylinder head side 2	3
29	93210-62451-00	O-RING	4
30	90116-06017-00	BOLT, stud	3
31	95303-06800-00	NUT, crown	9
32	92901-06600-00	WASHER, plate	9
33	90116-06238-00	BOLT, stud	6
34	256-11157-03-00	COVER, breaker 1	2
35	256-11146-00-00	GASKET, breaker cover	2
36	93210-45150-00	O-RING	2
37	92701-06015-00	SCREW, flat head	6
38	92903-06500-00	WASHER, tooth (92901-06500)	6
39	90338-12044-00	PLUG	2
40	5V4-11158-00-00	COVER, breaker 2	2
41	5V4-1111K-00-00	EMBLEM	2
42	90183-02022-00	NUT, spring	4
43	91903-06020-00	SCREW, bind (92903-06020) ...	4
	3G1-W0001-00-XX	TOP END GASKET KIT	

5V4110-2010

Cylinder Head Cover	M8: 2.1 m*kg
Cylinder Head:	M10: 3.7 m*kg
	M6: 0.9 m*kg
Spark Plug Type	NGK BP7ES
Spark Plug Gap / Torque / Cap ⌀	0.7 ~ 0.8mm / 2.0 m*kg / 5K⌀